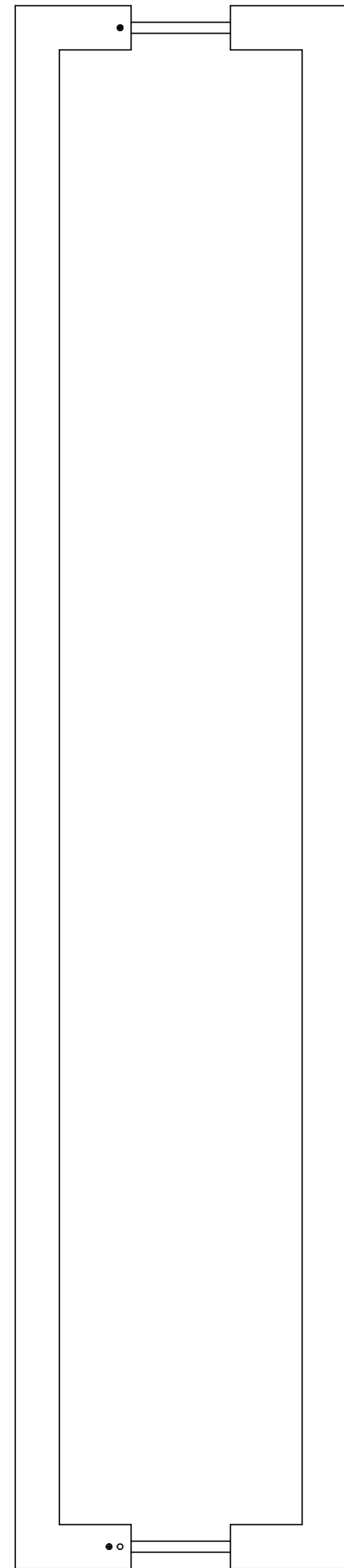


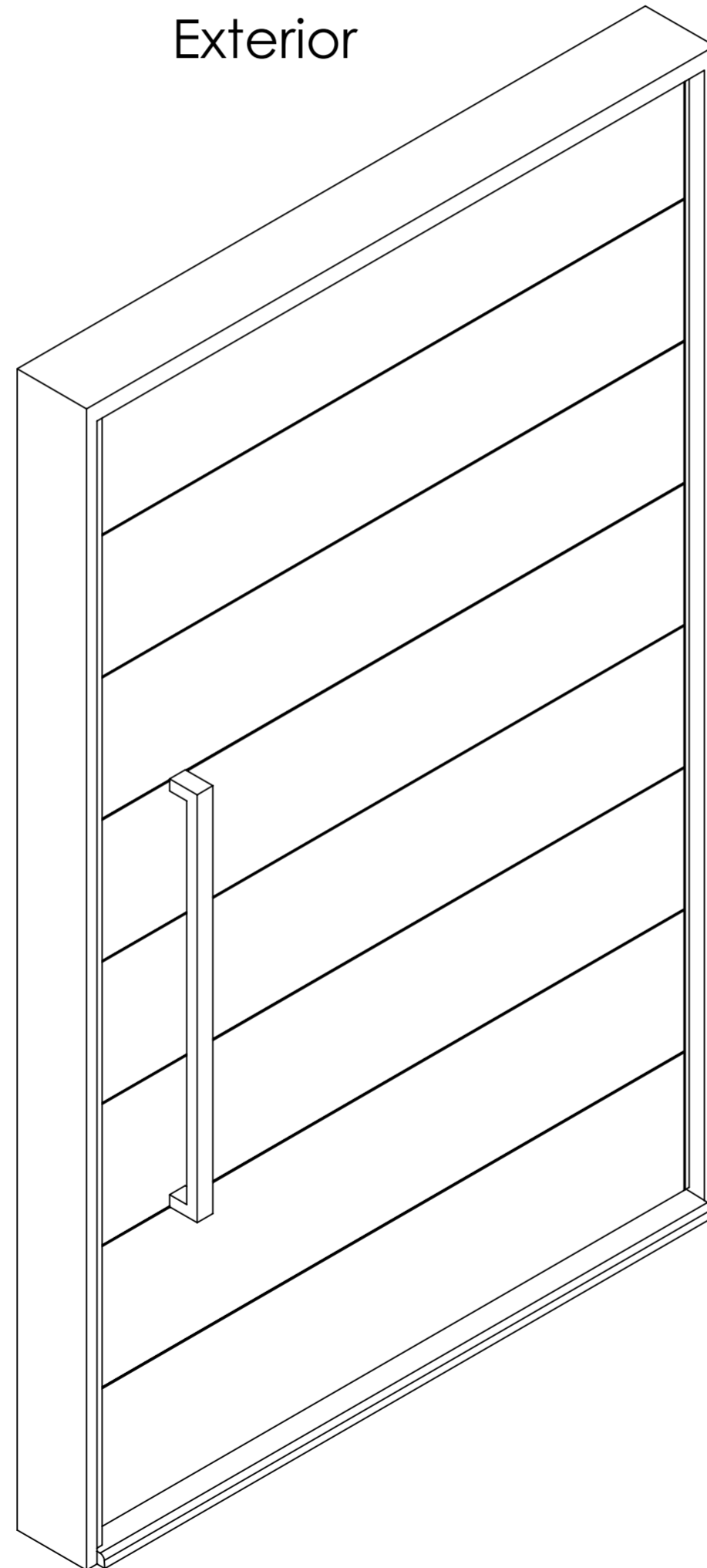
Square Pull Bar 7910 Installation Instructions

Step 1: Locate desired handle position on door.

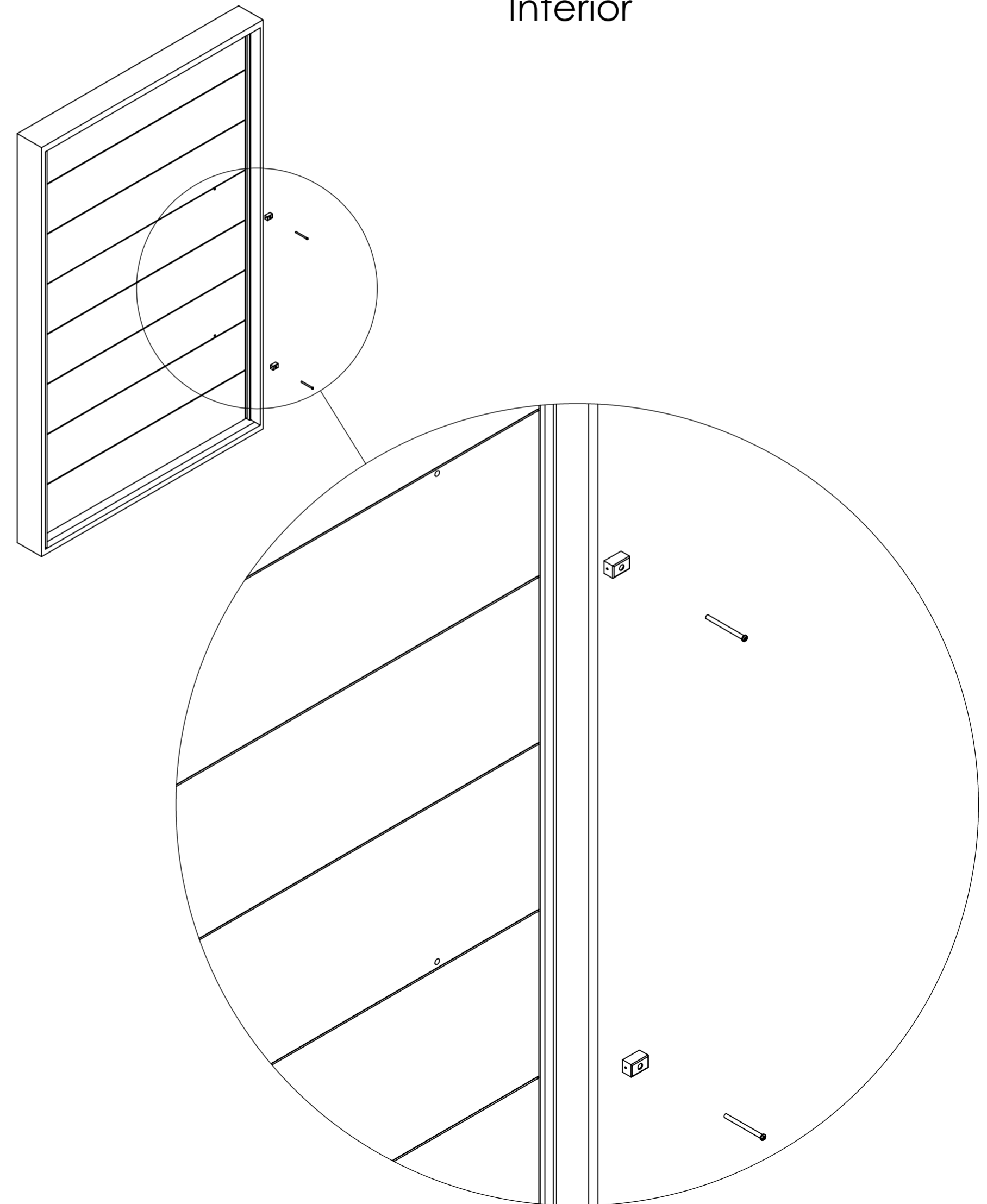
Step 2: Drill 3/8" holes in desired location. Insert the bolts through the brass collars then into holes.



Exterior



Interior



Square Pull Bar 7910 Installation Instructions

Step 3: Fasten hardware to exterior handle piece, making sure hardware is in the correct order and orientation. (White plastic washers for glass applications only, discard if not used)

Step 4: Attach interior handle piece using set screws. (White plastic washers for glass applications only, discard if not used)

