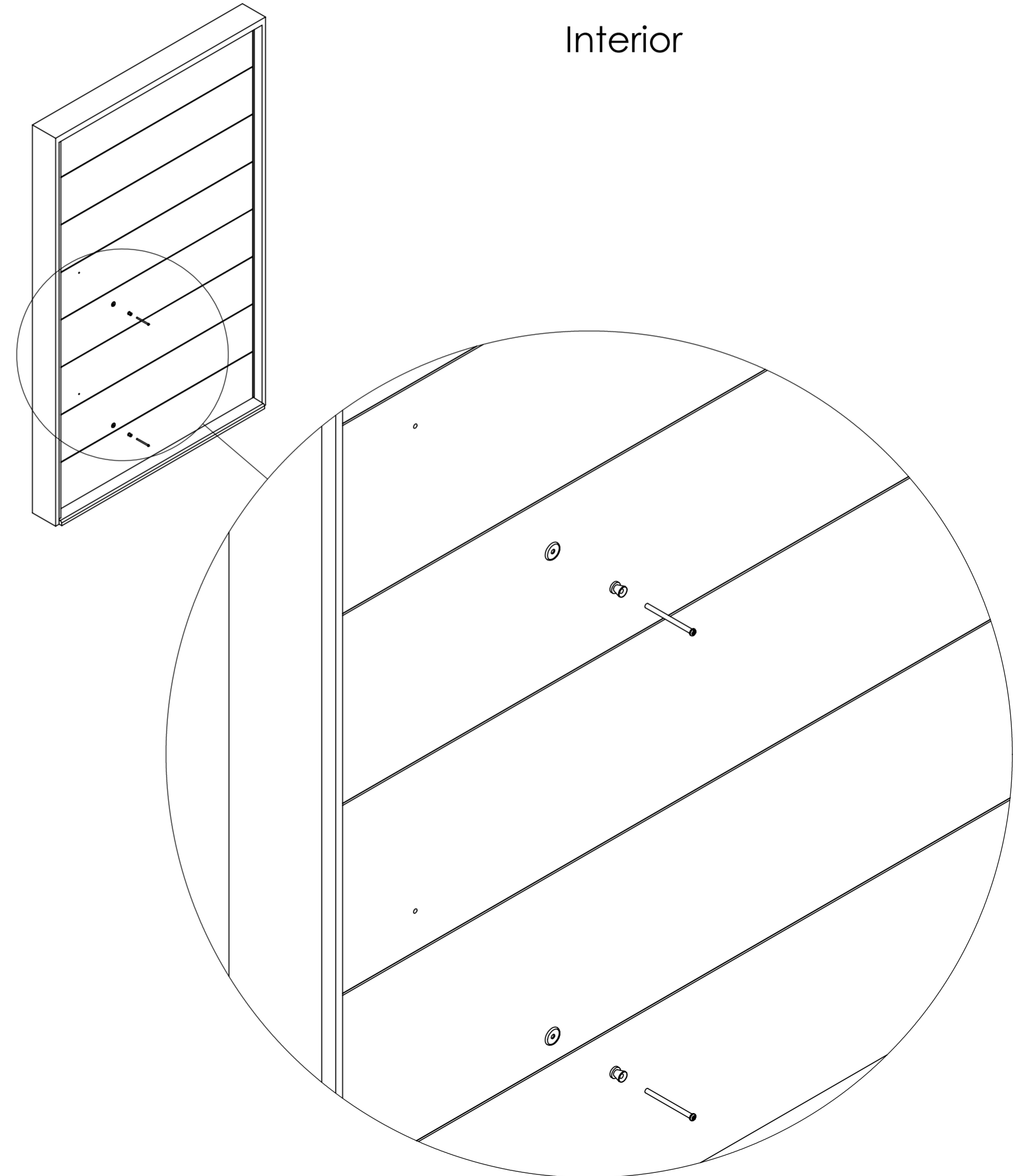
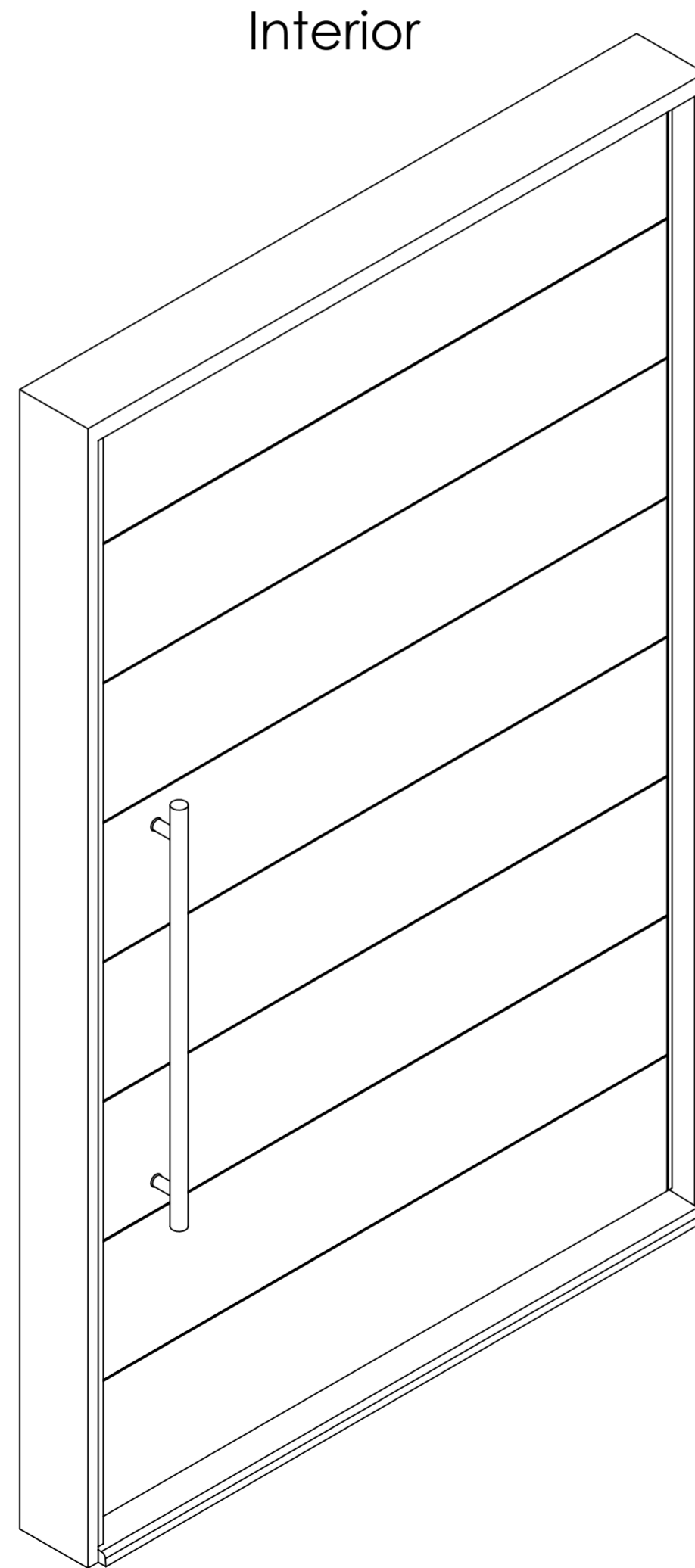
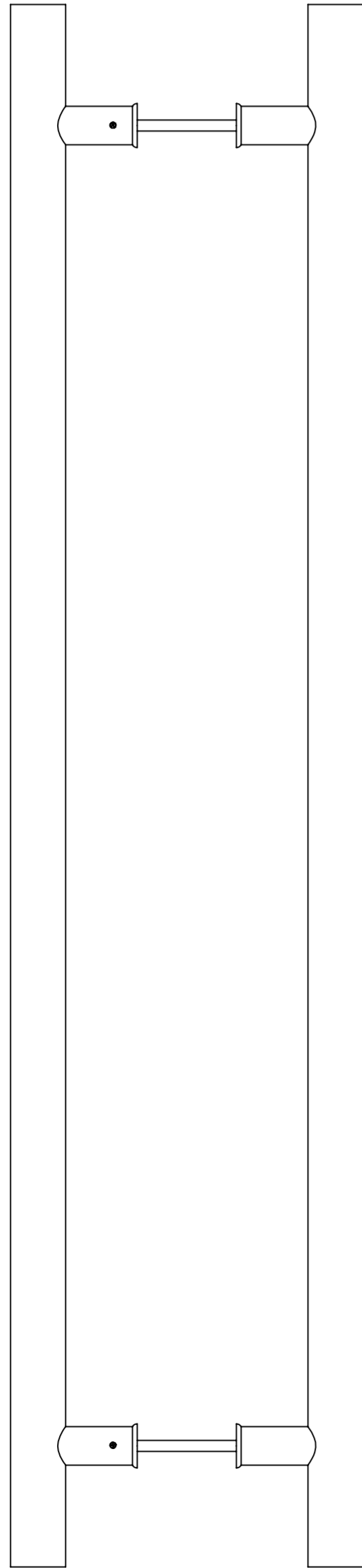


Modern Bar 3301 Installation Instructions

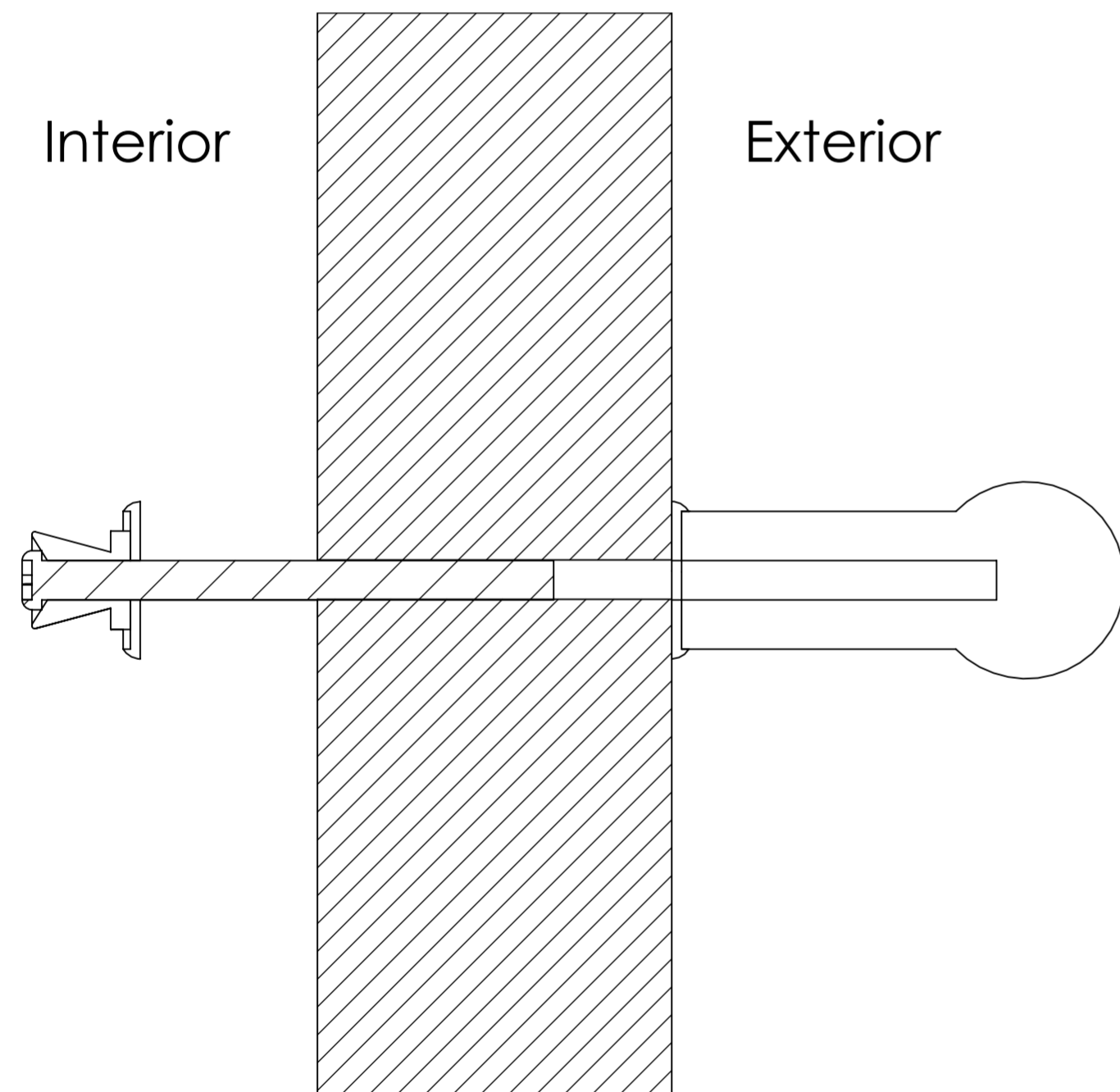
Step 1: Locate desired handle position on door.

Step 2: Drill 3/8" holes in desired location. Insert the bolts through the brass collars, then through finish washer, then lastly into holes.



Modern Bar 3301 Installation Instructions

Step 3: Fasten hardware to exterior handle piece, making sure hardware is in the correct order and orientation (plastic washers for glass applications only, discard if not used).



Step 4: Attach interior handle piece using set screws (plastic washers for glass applications only, discard if not used).

